

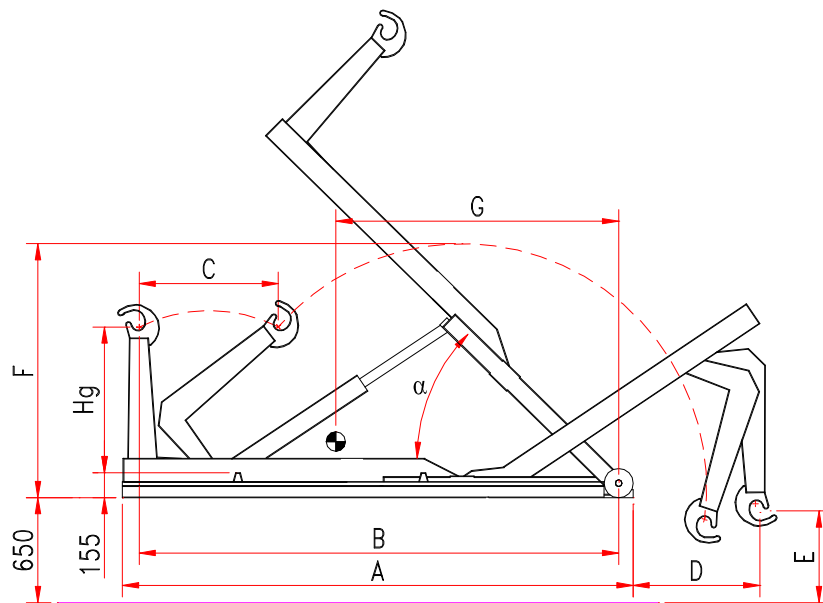


b.o.b. Sistemi Idraulici S.p.A.

**unilift**<sup>®</sup>

COMPANY  
WITH QUALITY SYSTEM  
CERTIFIED BY DNV  
= ISO 9001/2000 =

**HOOKLIFT « A 4 »**



Modell	Hg	A	B	C	D	E	F	G	Gewicht	a	Container	min.	max.
<b>A 4 C</b>	900/920	2.880	2.685	825	1.370	620	1.600	1.550	475 kg	51°		3.000	3.200
<b>A 4 N</b>	900/920	3.180	2.985	975	1.220	620	1.600	1.715	490 kg	47°		3.300	3.500

The technical details shown in this sheet are indicative and can be changed by the builder without prior notice.

**B.O.B. Sistemi Idraulici S.p.A.** – Regione Oltre Rea, 61 – 12060 Monchiero (CN) - Italia  
P. I.V.A. 00496180043 - Tel.: +39 (0173) 780002/3 – Fax: +39 (0173) 780004  
Internet: [www.bobspa.com](http://www.bobspa.com) - e-mail: [info@bobitalev.com](mailto:info@bobitalev.com)