

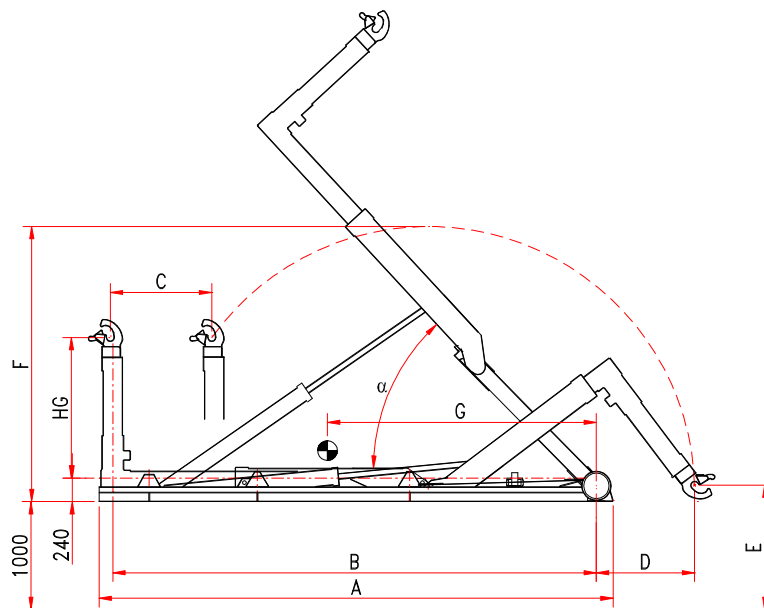


b.o.b. Sistemi Idraulici S.p.A.

**unilift**<sup>®</sup>

COMPANY WITH QUALITY MANAGEMENT  
SYSTEM CERTIFIED BY DNV  
= **ISO 9001:2008** =

**HOOKLIFT « T 10 – Class II »**



Model	HG	A	B	C	D	E	F	G	Weight kit	$\alpha$	Container	min – max
T 10 C	1.425/1.570	4.135	3.850	800	1.400	1.145	2.600	2.200	1.580 kg	58°		3.500 4.500
T 10 N	1.425/1.570	4.335	4.050	800	1.200	1.145	2.600	2.250	1.600 kg	53°		3.800 4.800
T 10 NL	1.425/1.570	4.535	4.250	800	1.000	1.145	2.600	2.300	1.630 kg	49°		4.100 5.100
T 10 L	1.425/1.570	4.735	4.450	800	800	1.145	2.600	2.350	1.650 kg	45°		4.400 5.400

The technical details shown in this sheet are indicative and can be changed by the builder without prior notice.

**B.O.B. Sistemi Idraulici S.p.A.** – Regione Oltre Rea, 61 – 12060 Monchiero (CN) - Italia  
P. I.V.A. 00496180043 - Tel.: +39 (0173) 780002/3 – Fax: +39 (0173) 780004  
Internet: [www.bobspa.com](http://www.bobspa.com) - E-mail: [info@bobitalev.com](mailto:info@bobitalev.com)