

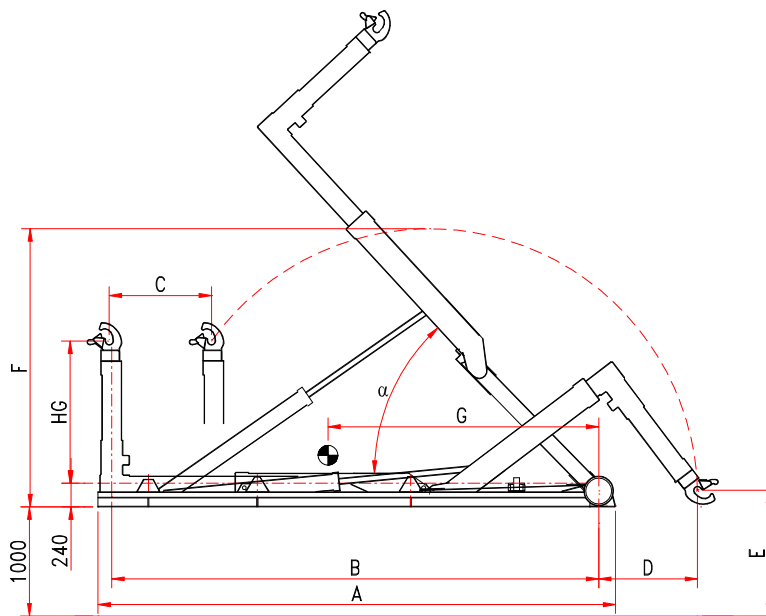


b.o.b. Sistemi Idraulici S.p.A.

unilift[®]

COMPANY WITH QUALITY MANAGEMENT
SYSTEM CERTIFIED BY DNV
= **ISO 9001:2008** =

HOOKLIFT « T 16 »



Model	HG	A	B	C	D	E	F	G	Weight kit	α	Container	min – max	
T 16 C	1.425/1.570	4.820	4.520	1.032	1.400	1.150	2.800	2.200	1.920 kg	55°		4.000	5.500
T 16 NC	1.425/1.570	5.020	4.720	1.032	1.200	1.150	2.800	2.250	1.950 kg	51°		4.200	5.700
T 16 N	1.425/1.570	5.220	4.920	1.032	1.000	1.150	2.800	2.300	1.970 kg	47°		4.400	5.900
T 16 NL	1.425/1.570	5.420	5.120	1.032	800	1.150	2.800	2.350	1.990 kg	45°	4.600	6.100	

The technical details shown in this sheet are indicative and can be changed by the builder without prior notice.

B.O.B. Sistemi Idraulici S.p.A. – Regione Oltre Rea, 61 – 12060 Monchiero (CN) - Italia
P. I.V.A. 00496180043 - Tel.: +39 (0173) 780002/3 – Fax: +39 (0173) 780004
Internet: www.bobspa.com - E-mail: info@bobitalev.com