



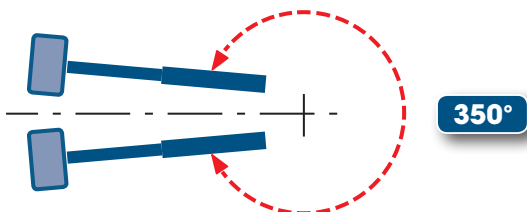
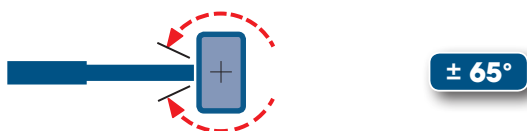
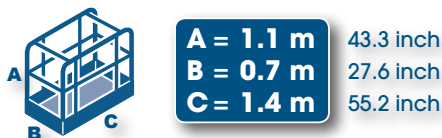
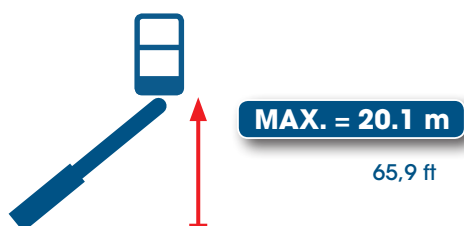
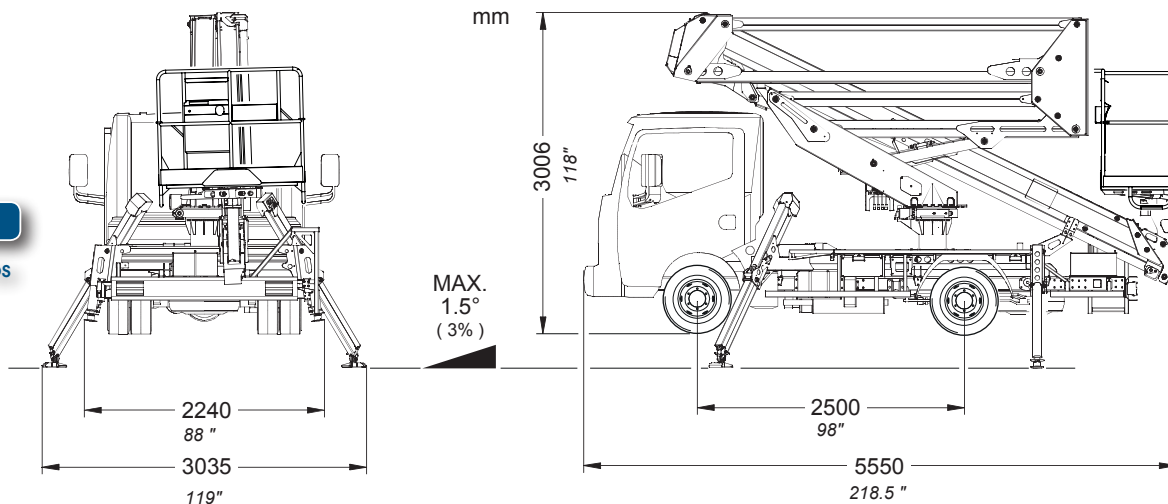
## GDX20 E

AERIAL PLATFORM



**3.5 t**

7716 lbs



**HYDRAULIC**

