

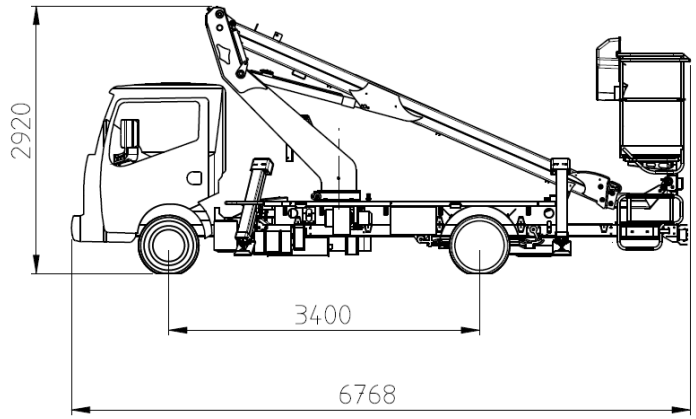
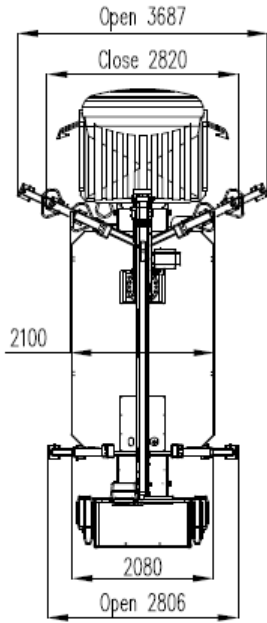


GT 18-12
AERIAL PLATFORM



3.5 t

7716 lbs



REV. 03/2016



MAX. = 17,50m

57,4 ft



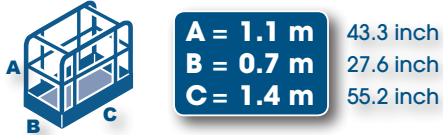
MAX. = 12 m 120 kg

39.37 ft 264 lbs



MAX. = 9.50m 200kg

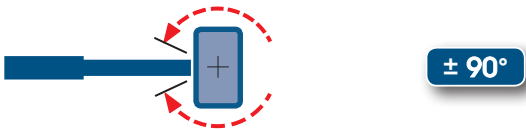
31.16 ft 440 lbs



A = 1.1 m 43.3 inch

B = 0.7 m 27.6 inch

C = 1.4 m 55.2 inch

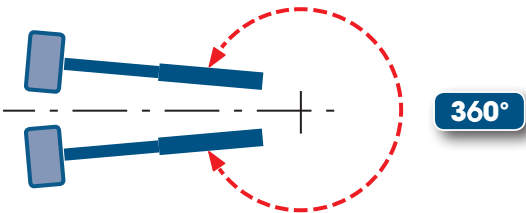


± 90°



MAX. = 200 kg

440 lbs



360°



MAX. = 12.5 m/s

27.9 mph



HYDRAULIC PROPORTIONAL

