

**SLPD 20/20-64/32 DIN Savtec is equipped with a shut-off valve, this makes it possible to control so that oil only feeds when required.**

SLPD 20/20-64/32 DIN Savtec's valve is available for electrical 24 V or pneumatic remote control. The signal is obtained from a panel switch or automatically from, e.g. the parking brake, pressure sensor or diode gate.

With a closed Savtec valve it generates neither flow nor pressure, and in doing so does not load the power take-off. This has a positive effect on fuel economy. In some hydraulic systems such as a closed centre design, a certain amount of oil can flow into the pressure lines which after a time can build up pressure. We therefore recommend that the pressure line should always be unloaded to the tank. SLPD 20/20-64/32 DIN Savtec features extra lubrication ducts on the bearings for lubrication even when the pump is run with the Savtec-valve closed.

The pump comes in eight different sizes, where three models feature differentiated flows. Pumps with differentiated flow increase the field of application as they can provide three different flows: one small, one large and one combined flow. Max pressure is 330-350 bar depending on the model.

#### **Other advantages:**

- Independent direction of rotation
- A cost effective total solution in relation to a conventional installation using two pumps in a splitter gear box
- Extremely low noise level
- Smooth operation over the entire speed range
- Long life due to high demands on material selection, such as bearings, seals, etc.
- O-rings on all contact surfaces as well as double shaft seals eliminate oil leakage from the pump and power take-off
- Extremely low noise emission over entire speed and pressure ranges
- The Savtec valve can also be used as an emergency stop



## Versions, main data

### Example

SL	PD	-	46/46	W	-	V	-	DL4	-	L35	-	S4	S	-	4
Line	1		2	3		4		5		6		7	8		9

### Line

SL	Sunfab In-Line
----	----------------

### 1. Type

PD	Dual flow pump
----	----------------

### 2. Displacement

20/20 28/28 40/20 35/35 56/28 46/46 53/53 64/32
---

### 3. Direction of rotation

W	Independent
---	-------------

### 4. Sealing

V	HNBR
---	------

### 5. Mounting flange

DL4	DIN 4-h (ISO 7653D)
-----	---------------------

### 6. Shaft

L35	DIN 5462 / ISO 14
-----	-------------------

### 7. Connection cover

S4	Sunfab standard SLPD
----	----------------------

### 8. Connections

S	Sunfab standard
---	-----------------

### 9. Additional

4	Savtec
---	--------

Savtec valve is ordered seperately.

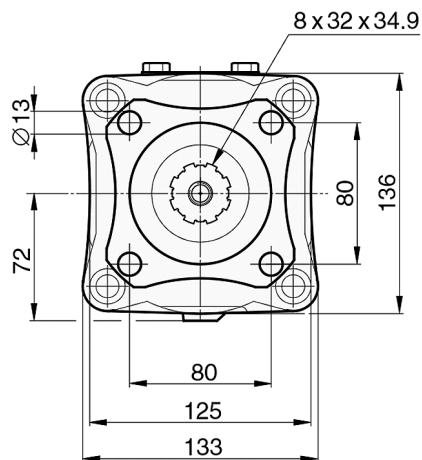
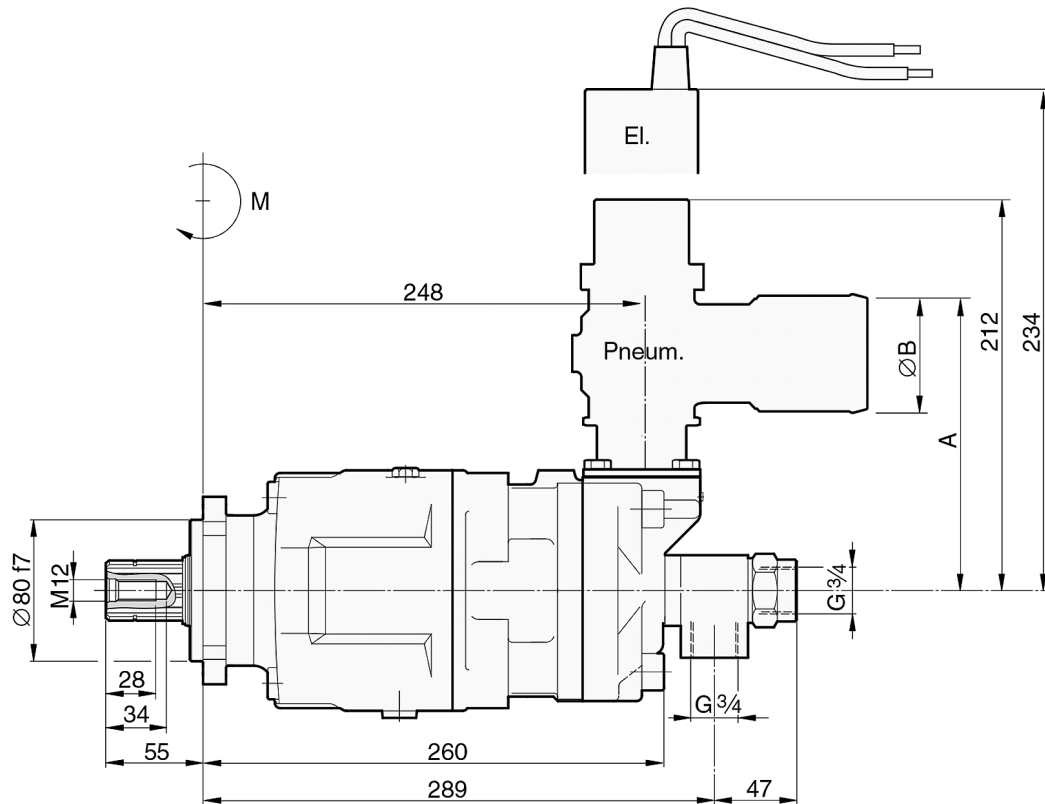
Indicate when ordering

- Electric or Pneumatic

- Suction connection 50 or 64 mm.

**Pump SLPD 20/20-64/32 DIN SAVTEC**

		20/20	28/28	40/20	35/35	56/28	46/46	53/53	64/32	
Theoretical oil flow at pump speed	rpm	500	10.1 + 10.1	13.7 + 13.7	20.3 + 10.1	16.9 + 16.9	27.4 + 13.7	22.9 + 22.9	26.2 + 26.2	31.5 + 15.7
		1000	20.3 + 20.3	27.5 + 27.5	40.7 + 20.3	33.9 + 33.9	54.9 + 27.5	45.8 + 45.8	52.5 + 52.5	63 + 31.5
		1500	30.4 + 30.4	41.3 + 41.3	61.0 + 30.4	50.8 + 50.8	82.3 + 41.2	68.7 + 68.7	78.7 + 78.7	94.5 + 47.2
Displacement	cm <sup>3</sup> /rev	20.3 + 20.3	27.5 + 27.5	40.7 + 20.3	33.9 + 33.9	54.9 + 27.5	45.8 + 45.8	52.5 + 52.5	63.0 + 31.5	
Max pump speed	rpm	2200	1800	2200	2200	1800	1800	1600	1600	
Max speed, idling	rpm	3000	2500	3000	3000	2500	2500	2500	2500	
Max working pressure	bar	350	350	350	330	350	330	330	350	
Weight	kg	24.5/23.5	24.5/23.5	24.5/23.5	24.5/23.5	24.5/23.5	24.5/23.5	24.5/23.5	24.5/23.5	
Dimensions	mm	A	133	133	133	133	166	166	166	
Min. dimensions		B	50	50	50	50	64	64	64	
Tare-weight torque	(M) Nm	32.5/29.5	32.5/29.5	32.5/29.5	32.5/29.5	32.5/29.5	32.5/29.5	32.5/29.5	32.5/29.5	
Direction of rotation	Independent									



Shaft:  
DIN 5462 / ISO14  
Mounting Flange:  
ISO 7653-D



**WARNING**

When the pump is running:

1. Do not touch the pressure hose
2. Watch out for rotating parts
3. The pump and hoses may be hot

*Sunfab reserves the right to make changes in design and dimensions without notice. Printing and typesetting errors reserved.  
© Copyright 2015 Sunfab Hydraulics AB. All Rights Reserved.*