

SCP 012-108 SAE is a series of piston pumps with a fixed displacement for demanding mobile hydraulics.

Sunfab SCP 012-108 SAE pumps are equipped with shafts and flanges according to the SAE-B and SAE-C standard. They are available in the range from 12-108 cm³. It is a modern, compact pump which meets the market's high demands on flow performance, pressure, efficiency and small installation dimensions.

The pump is either mounted directly on the power take-off or on a frame bracket via an intermediate shaft. The stop shoulder on the angular housing allows the pump's direction of rotation to be changed without the risk of altering the gear meshing.

Other advantages:

- High maximum speed while maintaining low noise levels
- Smooth operation over the entire speed range
- Long life due to high demands on material selection, such as bearings, seals, etc
- O-rings on all contact surfaces as well as double shaft seals eliminate oil leakage from the pump and power take-off

Versions, main data

Example

| | | | | | | | | | | | | | | | | |
|------|---|---|-----|---|---|---|---|-----|---|-----|---|----|---|---|---|----|
| SC | P | - | 084 | L | - | N | - | SC4 | - | C14 | - | S0 | S | - | 0 | 00 |
| Line | 1 | | 2 | 3 | | 4 | | 5 | | 6 | | 7 | 8 | | 9 | 10 |

| | | |
|------|----|----------------|
| Line | SC | Sunfab Compact |
|------|----|----------------|

| | | |
|---------|---|------|
| 1. Type | P | Pump |
|---------|---|------|

| | | | | | | | | | | | |
|-----------------|-----|-----|-----|-----|-----|-----|-----|-----|-----|-----|-----|
| 2. Displacement | 012 | 017 | 025 | 034 | 040 | 047 | 056 | 064 | 084 | 090 | 108 |
|-----------------|-----|-----|-----|-----|-----|-----|-----|-----|-----|-----|-----|

| | | |
|--------------------------|---|-------|
| 3. Direction of rotation | R | Right |
| | L | Left |

| | | |
|------------|---|---------|
| 4. Sealing | N | Nitrile |
|------------|---|---------|

| | | | | | | | | | | | | |
|--------------------|--------|-----|-----|-----|-----|-----|-----|-----|-----|-----|-----|-----|
| 5. Mounting flange | | 012 | 017 | 025 | 034 | 040 | 047 | 056 | 064 | 084 | 090 | 108 |
| SB4 | SAE B4 | X | X | X | X | X | X | X | X | - | - | - |
| SC4 | SAE C4 | - | - | - | - | X | X | X | X | X | - | X |

| | | | | | | | | | | | | |
|----------|-----------|-----|-----|-----|-----|-----|-----|-----|-----|-----|-----|-----|
| 6. Shaft | | 012 | 017 | 025 | 034 | 040 | 047 | 056 | 064 | 084 | 090 | 108 |
| B13 | SAE B 13t | X | X | X | X | X | X | X | X | - | - | - |
| C14 | SAE C 14t | - | - | - | - | X | X | X | X | X | - | X |

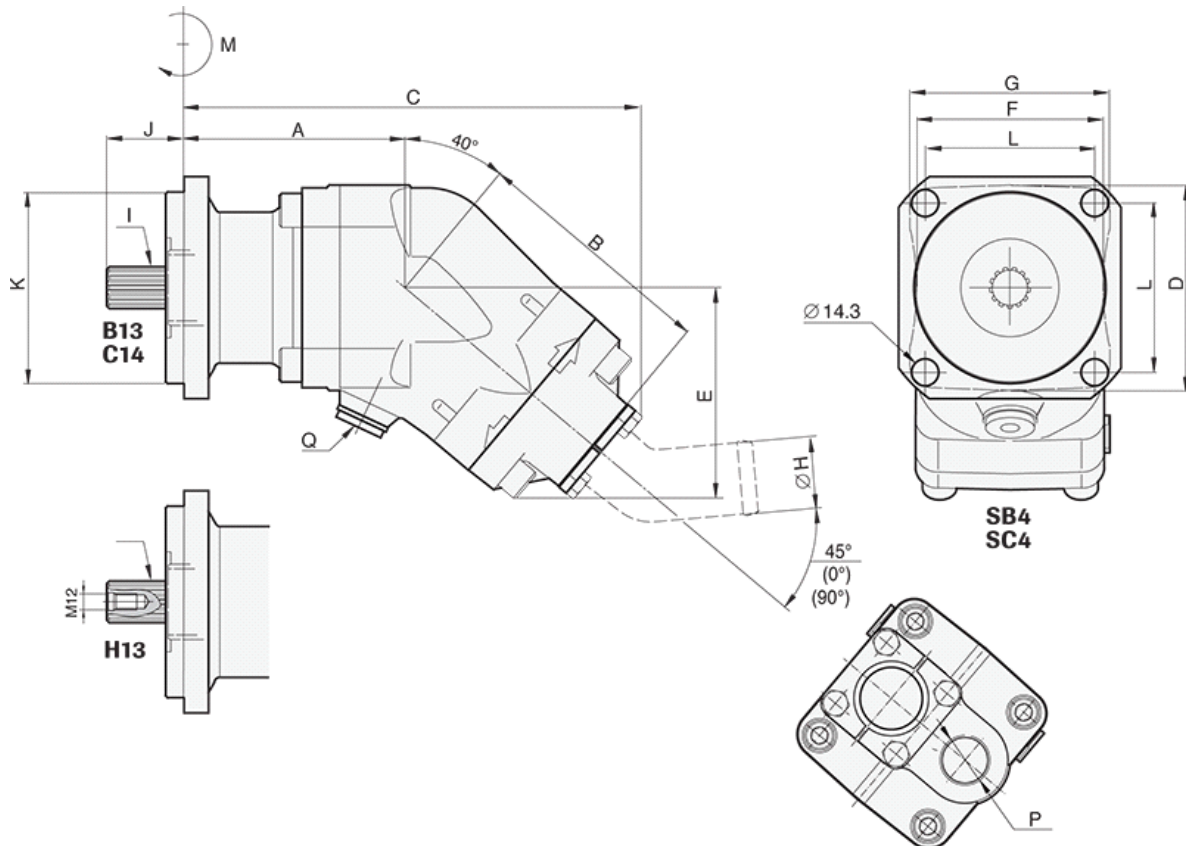
| | | |
|---------------------|----|---------------------|
| 7. Connection cover | S0 | 40° Sunfab standard |
|---------------------|----|---------------------|

| | | |
|----------------|---|-----------------|
| 8. Connections | S | Sunfab standard |
|----------------|---|-----------------|

| | | |
|---------------|---|---|
| 9. Additional | 0 | - |
|---------------|---|---|

| | | |
|-----------------|----|--------------------------|
| 10. Accessories | 00 | No accessories available |
|-----------------|----|--------------------------|

| Pump SCP 012-108 SAE | | 012 | 017 | 025 | 034 | 040 | 047 | 056 | 064 | 040 | 047 | 056 | 064 | 084 | 108 | | |
|------------------------------------|-----------------------|------------------------|-------|-------|-------|-------|-------|-------|-------|-------|----------------------|-------|-------|-------|-------|-------|-----|
| Theoretical oil flow at pump speed | rpm | 500 | 6.3 | 8.5 | 12.7 | 17.1 | 20.6 | 23.5 | 28.0 | 31.8 | 20.6 | 23.5 | 28.0 | 31.8 | 41.8 | 54.0 | |
| | | 1000 | 12.6 | 17.0 | 25.4 | 34.2 | 41.2 | 47.1 | 56.0 | 63.6 | 41.2 | 47.1 | 56.0 | 63.6 | 83.6 | 108.0 | |
| | | 1500 | 18.9 | 25.5 | 38.1 | 51.3 | 61.8 | 70.6 | 84.0 | 95.4 | 61.8 | 70.6 | 84.0 | 95.4 | 125.4 | 162.0 | |
| Displacement | cm ³ /rev | 12.6 | 17.0 | 25.4 | 34.2 | 41.2 | 47.1 | 56.0 | 63.6 | 41.2 | 47.1 | 56.0 | 63.6 | 83.6 | 108.0 | | |
| Max pump speed | rpm | continuous | 2300 | 2300 | 2300 | 2300 | 1900 | 1900 | 1900 | 1900 | 1900 | 1900 | 1900 | 1900 | 1500 | 1500 | |
| | | limited | 3000 | 3000 | 3000 | 3000 | 2500 | 2500 | 2500 | 2500 | 2500 | 2500 | 2500 | 2500 | 2000 | 2000 | |
| Max working pressure | bar | 400 | 400 | 400 | 400 | 400 | 400 | 400 | 350 | 400 | 400 | 400 | 400 | 400 | 400 | | |
| Weight | kg | 8.7 | 8.6 | 8.9 | 8.8 | 12.3 | 12.3 | 12.3 | 12.2 | 14.3 | 14.3 | 14.3 | 14.1 | 19.0 | 19.0 | | |
| Dimensions | mm | A | 101 | 101 | 101 | 101 | 117 | 117 | 117 | 117 | 119 | 119 | 119 | 119 | 128 | 128 | |
| | | B | 117 | 117 | 117 | 117 | 130 | 130 | 130 | 130 | 130 | 130 | 130 | 130 | 147 | 147 | |
| | | C | 209 | 209 | 209 | 209 | 235 | 235 | 235 | 235 | 237 | 237 | 237 | 237 | 262 | 262 | |
| | | D | 99 | 99 | 99 | 99 | 109 | 109 | 109 | 109 | 109 | 109 | 109 | 109 | 126 | 126 | |
| | | E | 97 | 97 | 97 | 97 | 112 | 112 | 112 | 112 | 112 | 112 | 112 | 112 | 126 | 126 | |
| | | F | 89 | 89 | 89 | 89 | 99 | 99 | 99 | 99 | 99 | 99 | 99 | 99 | 115 | 115 | |
| | | G | 97 | 97 | 97 | 97 | 106 | 106 | 106 | 106 | 106 | 106 | 106 | 106 | 123 | 123 | |
| | | H | 38 | 38 | 38 | 38 | 38 | 38 | 38 | 38 | 38 | 38 | 38 | 38 | 50 | 50 | |
| | | I | 50 | 50 | 50 | 50 | 50 | 50 | 50 | 50 | 50 | 50 | 50 | 50 | 64 | 64 | |
| SAE standard | I | SAE B 13T-16/32DP | | | | | | | | | SAE C 14T-12/24DP | | | | | | |
| | | J | 41 | 41 | 41 | 41 | 41 | 41 | 41 | 41 | 56 | 56 | 56 | 56 | 56 | 56 | |
| | | K | 101.6 | 101.6 | 101.6 | 101.6 | 101.6 | 101.6 | 101.6 | 101.6 | 127.0 | 127.0 | 127.0 | 127.0 | 127.0 | 127.0 | |
| | | L | 89.8 | 89.8 | 89.8 | 89.8 | 89.8 | 89.8 | 89.8 | 89.8 | 114.5 | 114.5 | 114.5 | 114.5 | 114.5 | 114.5 | |
| | | ISO G | P | 3/4 | 3/4 | 3/4 | 3/4 | 3/4 | 3/4 | 3/4 | 3/4 | 3/4 | 3/4 | 3/4 | 3/4 | 1 | 1 |
| | | ISO G | Q | 1/2 | 1/2 | 1/2 | 1/2 | 1/2 | 1/2 | 1/2 | 1/2 | 1/2 | 1/2 | 1/2 | 1/2 | 1/2 | 1/2 |
| | | Tare-weight torque (M) | Nm | 6.9 | 6.9 | 7.4 | 7.4 | 13 | 13 | 13 | 13 | 13 | 13 | 13 | 13 | 21 | 21 |
| Direction of rotation | Left (L) or Right (R) | | | | | | | | | | | | | | | | |





WARNING

When the pump is running:

1. Do not touch the pressure hose
2. Watch out for rotating parts
3. The pump and hoses may be hot

*Sunfab reserves the right to make changes in design and dimensions without notice. Printing and typesetting errors reserved.
© Copyright 2015 Sunfab Hydraulics AB. All Rights Reserved.*