

SCP 012-130 ISO is a series of piston pumps with a fixed displacement for mobile and stationary hydraulics.

SCP 012-130 ISO covers the entire displacement range 12-130 cm³/rev. at a maximum pressure of 400 bar. The pump's well dimensioned, double tapered roller bearings permit high shaft loads and lead to excellent speed characteristics. The pump is drained externally. It is speed-optimised and therefore supplied for either left (L) or right (R) rotation direction.

Other advantages:

- High maximum speed while maintaining low noise levels
- Smooth operation over the entire speed range
- Long life due to high demands on material selection, such as bearings, seals, etc.

Versions, main data

Example

SC	P	012	L	N	I41	W25	Z1	G	3	00
Line	1	2	3	4	5	6	7	8	9	10

Line	SC	Sunfab Compact, bent-axis design
------	----	----------------------------------

1. Type	P	Pump
---------	---	------

2. Displacement	012	017	025	034	040	047	056	064	084	090	108	130
-----------------	-----	-----	-----	-----	-----	-----	-----	-----	-----	-----	-----	-----

3. Direction of rotation	L	Left
	R	Right

4. Sealing	N	Nitrile
	H	High pressure, nitrile
	V	Viton

5. Mounting flange	ISO 3019-2	012	017	025	034	040	047	056	064	084	090	108	130
I41	ISO 4-h Ø80	X	X	-	-	-	-	-	-	-	-	-	-
I42	ISO 4-h Ø100	O	O	X	X	-	-	-	-	-	-	-	-
I43	ISO 4-h Ø125	-	-	-	-	X	X	X	X	-	-	-	-
I44	ISO 4-h Ø140	-	-	-	-	-	-	-	-	X	X	O	O
I45	ISO 4-h Ø160	-	-	-	-	-	-	-	-	O	O	X	X

6. Shaft		012	017	025	034	040	047	056	064	084	090	108	130
Spline DIN 5480													
W20	W20x1.25x14x9g	X	X	-	-	-	-	-	-	-	-	-	-
W25	W25x1.25x18x9g	X	X	X	O	-	-	-	-	-	-	-	-
W30	W30x2x14x9g	-	-	X	X	X	X	X	O	-	-	-	-
W32	W32x2x14x9g	-	-	-	-	X	X	X	O	-	-	-	-
W35	W35x2x16x9g	-	-	-	-	X	X	X	X	X	-	-	-
W40	W40x2x18x9g	-	-	-	-	-	-	-	-	X	X	X	X
W45	W45x2x21x9g	-	-	-	-	-	-	-	-	O	O	X	X
Key DIN 6885													
K20	Ø 20 k6	X	X	-	-	-	-	-	-	-	-	-	-
K25	Ø 25 k6	X	X	X	O	-	-	-	-	-	-	-	-
K30	Ø 30 k6	O	O	X	X	X	X	X	O	-	-	-	-
K35	Ø 35 k6	-	-	-	-	X	X	X	X	-	-	-	-
K40	Ø 40 k6	-	-	-	-	-	-	-	-	X	X	O	O
K45	Ø 45 k6	-	-	-	-	-	-	-	-	O	O	X	X

X = Standard, preferred
O = Contact Sunfab

7. Connection cover		012	017	025	034	040	047	056	064	084	090	108	130
Z1	Suction rear, pressure at side	X	X	X	X	X	X	X	X	X	X	X	X

8. Connections		012	017	025	034	040	047	056	064	084	090	108	130
G	ISO G*	X	X	-	-	-	-	-	-	-	-	-	-
M	Metric**	-	-	X	X	X	X	X	X	X	X	X	X

* Only threaded connections
** Only flanged connections

9. Additional	3	External drainage + optimized
---------------	---	-------------------------------

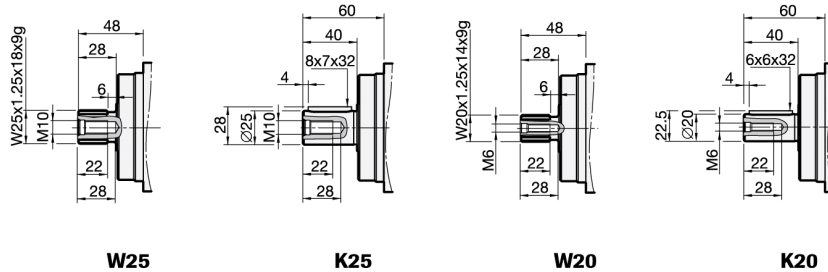
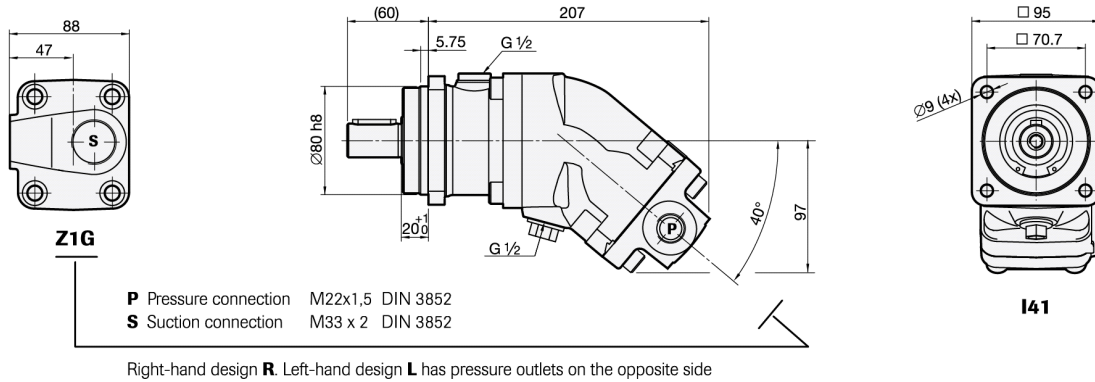
10. Accessories	00	No accessories available
-----------------	----	--------------------------

Pump SCP 012-130 ISO

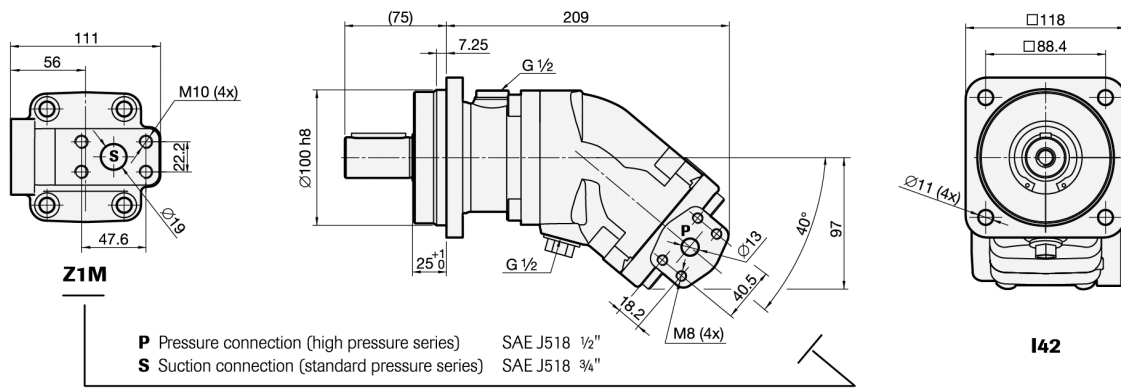
		012	017	025	034	040	047	056	064	084	090	108	130
Nominal oil flow at pump speed													
	rpm	500	6.3	8.5	12.7	17.1	20.6	23.5	28.0	31.8	41.5	45.4	54.0
	l/min	1000	12.6	17.0	25.4	34.2	41.2	47.1	56.0	63.6	83.6	90.7	108.0
	1500	18.9	25.5	38.1	51.3	61.8	70.6	84.0	95.4	125.4	136.1	162.0	195.0
Displacement	cm ³ /rev	12.6	17.0	25.4	34.2	41.2	47.1	56.0	63.6	83.6	90.7	108.0	130.0
Max working pressure	bar	400	400	400	400	400	400	400	400	400	400	400	350
Max pump speed	n _{max} (1)	rpm	3300	3200	2550	2250	2200	2100	2050	1700	1700	1700	1600
	n _{max limit} (2)		6000	5700	4700	4550	4300	4300	3750	3700	3350	3000	2900
Max power	kW	25	35	40	50	55	65	75	85	90	95	120	120
Weight	kg	7.5	7.5	8.5	8.5	15.5	15.5	15.5	15.5	27.0	27.0	29.5	29.5
Mass moment of inertia (x 10 ⁻³)	kg m ²	0.9	0.9	1.1	1.1	2.6	2.6	2.6	2.6	7.4	7.4	7.4	7.4
Direction of rotation	Left (L) or Right (R)												

- (1) The values shown are valid for an absolute pressure of 1 bar at the suction inlet.
 (2) By increase of the input pressure the rotational speeds can be increased to the max. admissible speed, n max limit.

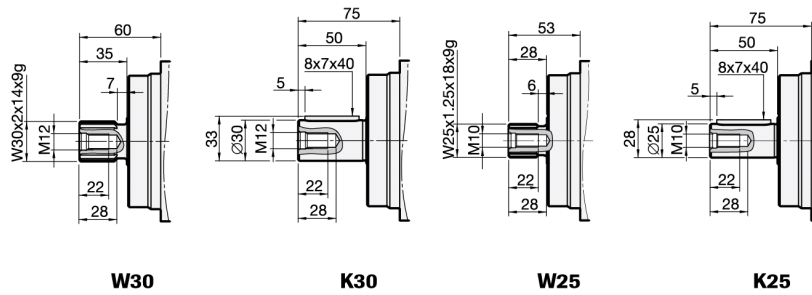
Dimensions SCP 012-017



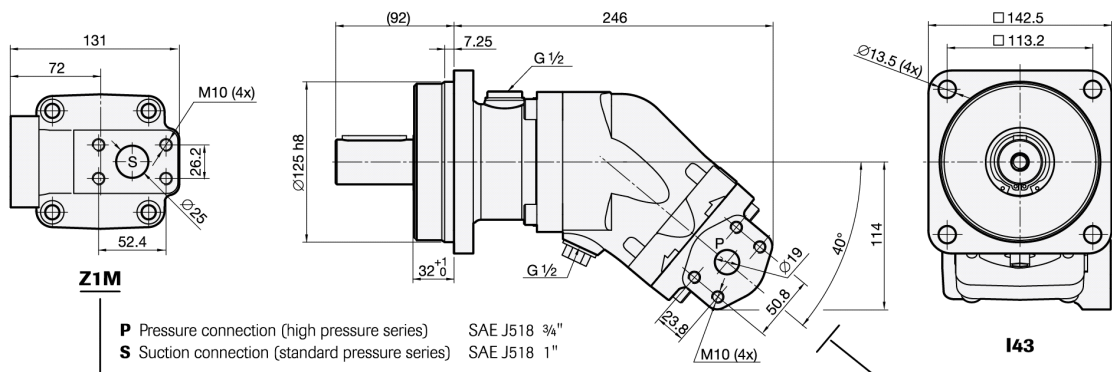
SCP 025-034



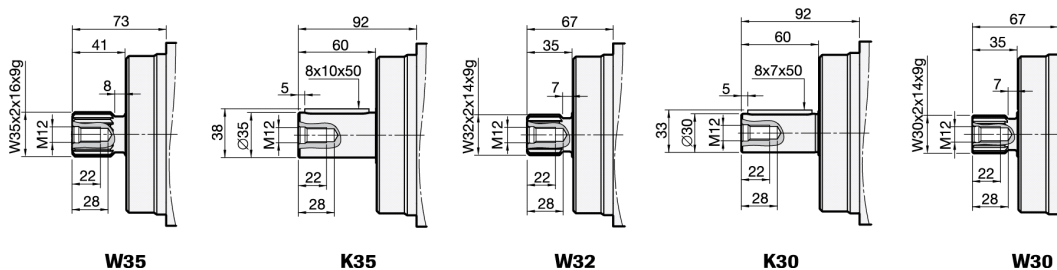
Right-hand design **R**. Left-hand design **L** has pressure outlets on the opposite side.



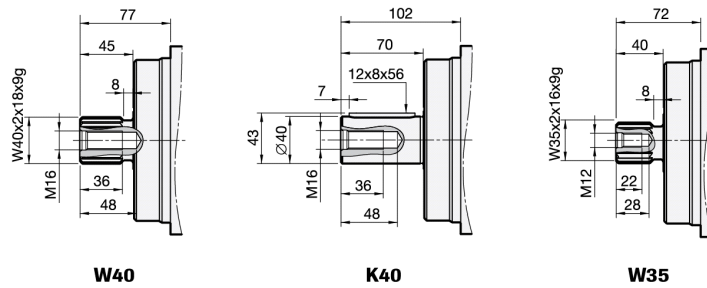
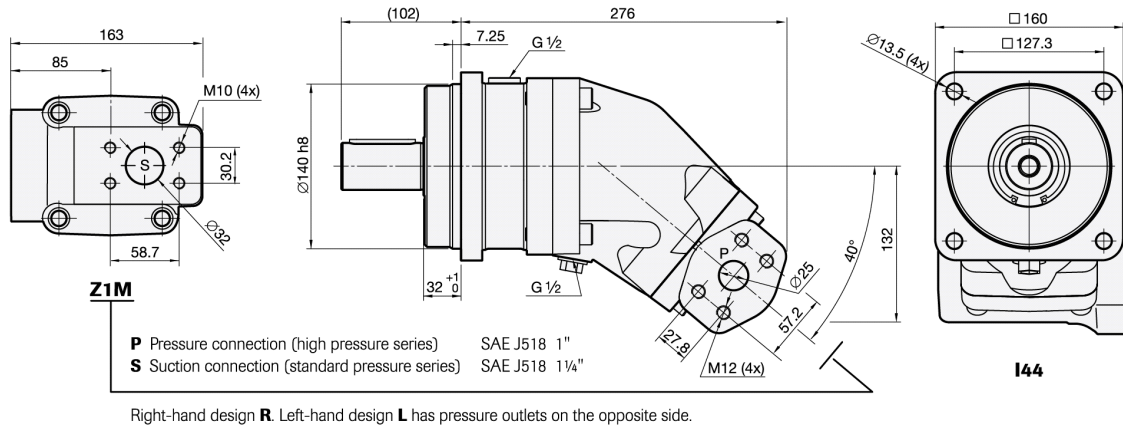
SCP 040-064



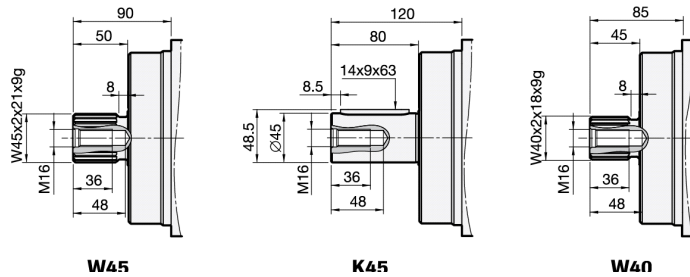
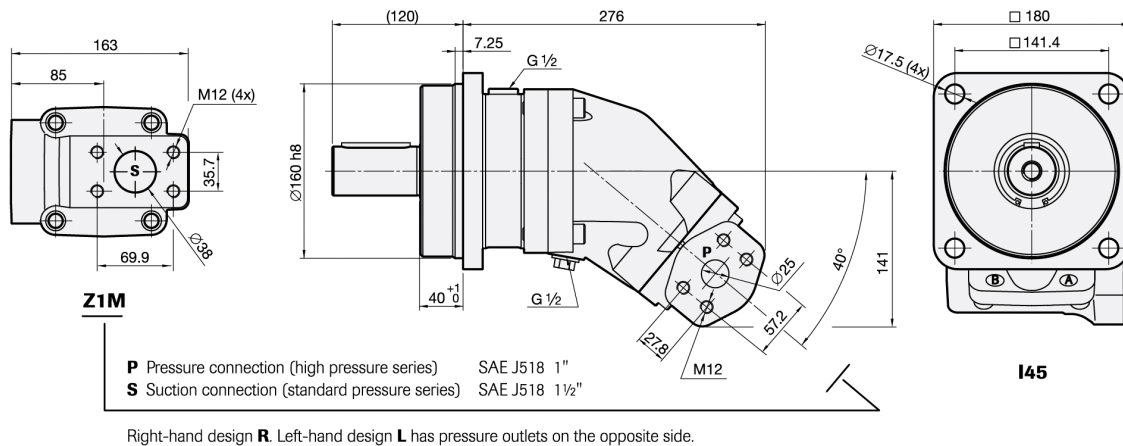
Right-hand design **R**. Left-hand design **L** has pressure outlets on the opposite side.



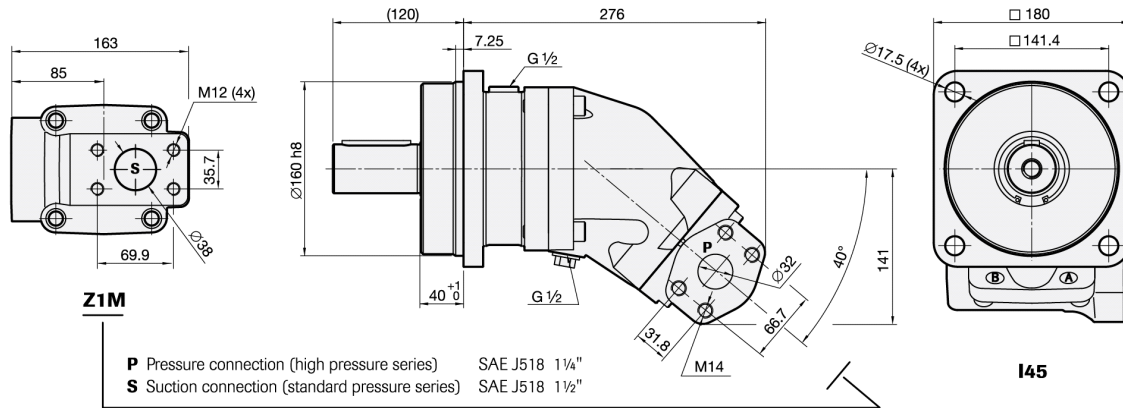
SCP 084-090



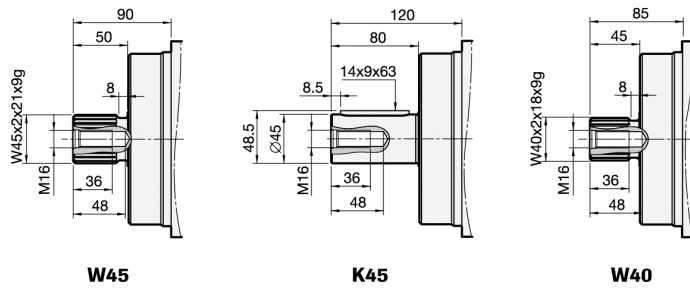
SCP 108



SCP 130



Right-hand design **R**. Left-hand design **L** has pressure outlets on the opposite side.



General instructions

Choice of shaft seal

Pump SCP ISO	Code	Temp. °C	Max. housing pressure MPa at rpm					
			500	1000	1500	2000	2500	3000
012-034	N	75	1.09	0.55	0.36	0.27	0.22	0.18
	H	75	4.91	2.46	1.64	1.23	0.98	0.82
	V	90	1.09	0.55	0.36	0.27	0.22	0.18
040-064	N	75	1.09	0.55	0.36	0.27	0.22	0.18
	H	75	4.91	2.46	1.64	1.23	0.98	0.82
	V	90	1.09	0.55	0.36	0.27	0.22	0.18
084-130	N	75	0.76	0.38	0.25	0.19	0.15	0.13
	H	75	3.44	1.72	1.15	0.86	0.69	0.57
	V	90	0.76	0.38	0.25	0.19	0.15	0.13

Code according to page 2, Versions, main data

Factors affecting the choice of shaft seal include the hydraulic pump housing pressure and the drainage oil temperature.

The drainage oil should have a maximum temperature of 75 °C with a Nitrile shaft seal and 90 °C with a Viton shaft seal.

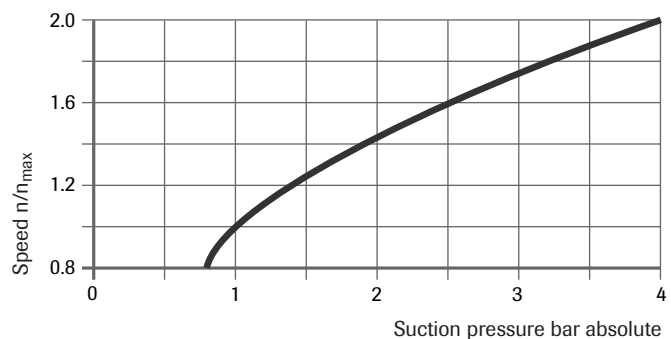
These temperatures must not be exceeded.

The housing pressure must be equal to or greater than the external pressure on the shaft seal.

Minimum inlet pressure at suction port with increased speed

Operating above the max. pump speed n_{max} requires increased inlet pressure.

Note that the max. permissible speed n_{max} limit must not be exceeded.



Filtering

Cleanliness according to ISO norm 4406, code 16/13.

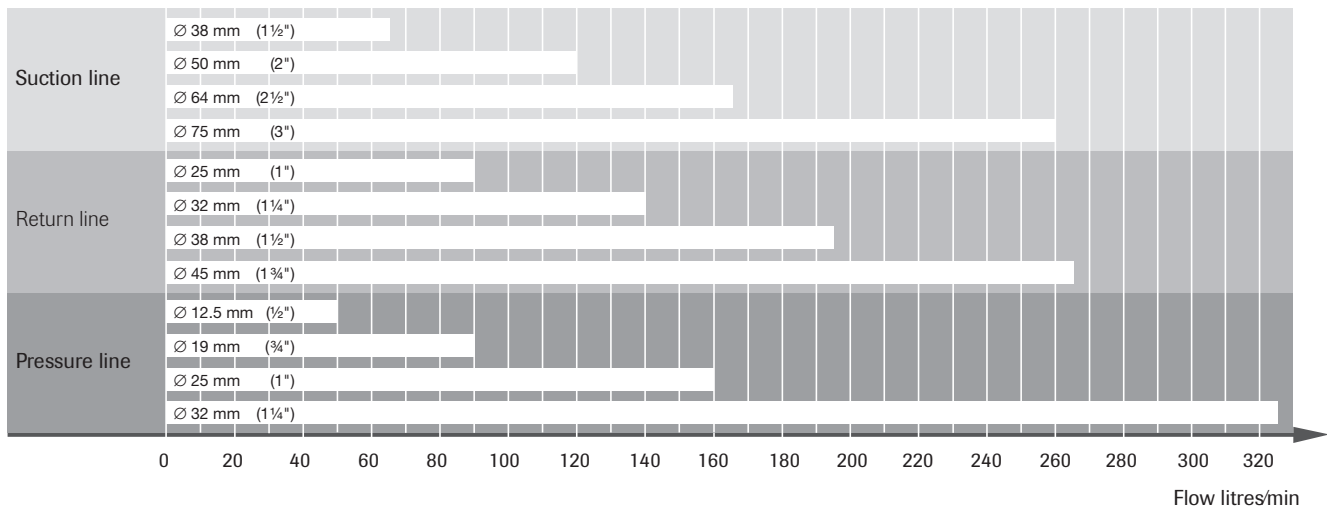
Hydraulic fluids

High performance oils meeting ISO specifications – such as HM, DIN 51524-2 HLP, or better – must be used.

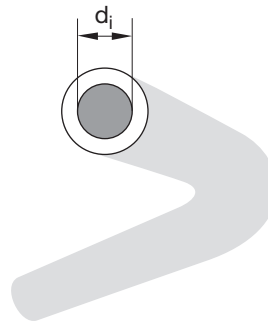
A min. viscosity of 10 cSt is required to keep the lubrication at a safe level.

The ideal viscosity is 20 - 40 cSt.

Recommended line size (d_i)

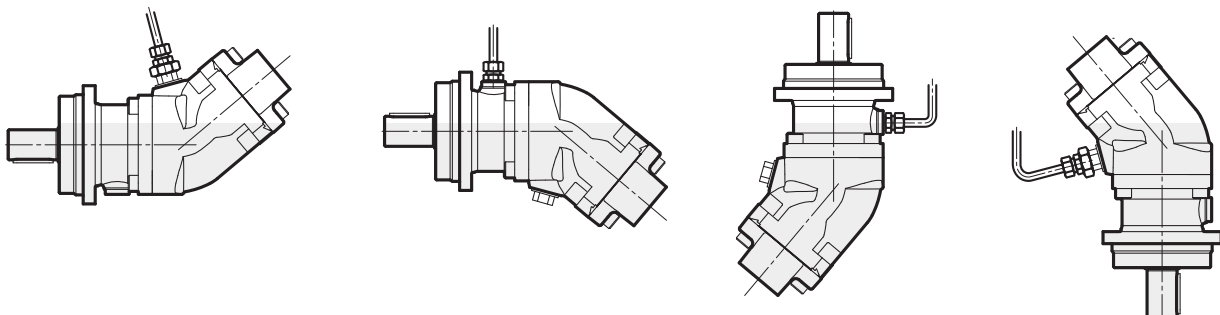


If the suction line is more than 2 m long the internal diameter must be increased by 10 mm for each meter extension.



Installation

- The pump housing should be filled with oil to at least 50% before starting.
- The drainage line must be at least 1/2" (13 mm) internal diameter and should be connected to topmost drainage outlet.
- The other end of the line should be connected to the oil tank at a point below the oil level.





WARNING

When the pump is running:

1. Do not touch the pressure hose
2. Watch out for rotating parts
3. The pump and hoses may be hot

*Sunfab reserves the right to make changes in design and dimensions without notice. Printing and typesetting errors reserved.
© Copyright 2015 Sunfab Hydraulics AB. All Rights Reserved.*